

# TECHNICAL DATASHEET



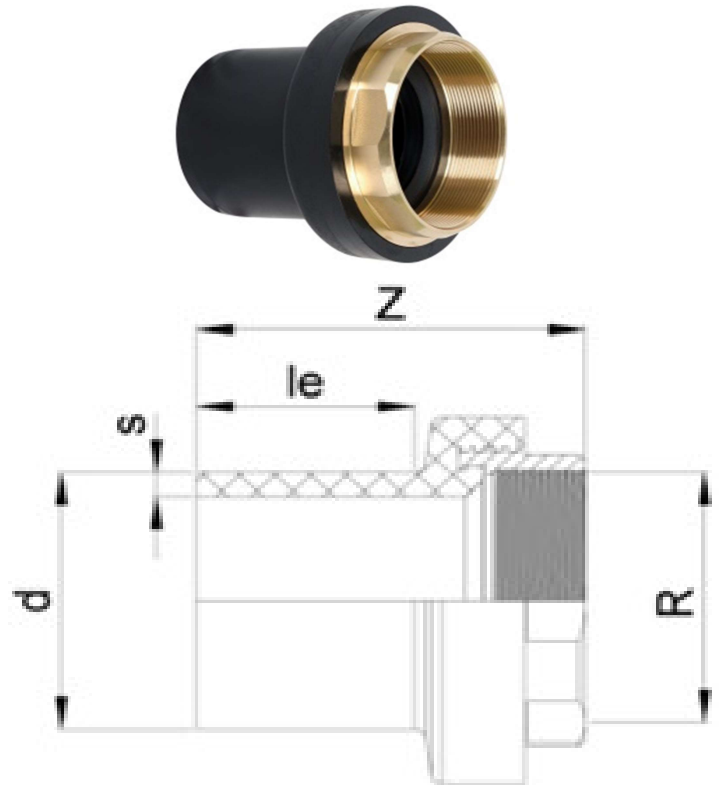
## TRANSITION ADAPTOR PE-BRASS

03 Update - 06/2023

### TECHNICAL DATA

Article No	001 117 6206 0025
d (mm)	25
R (inch)	¾"
le (mm)	43
Z (mm)	80
s (mm)	3,0
Weight (Kg)	0,095
Box Quantity (pcs)	100
Box Dimension (pcs)	27,5x24x23

### INJECTION MOULDED



### IDENTIFICATION OF PRODUCT

D	25x¾"
PN	16
RAW METARIAL	PE 100
PRESSURE CLASS	16 Bar Water 10 Bar Gas
TRADEMARK	NTG
EXECUTION	Injection Moulded
STANDARD	DVGW G5600-1 DVGW GW 335 12201-3

### SPECIFICATION

Long Spigot

Tolerance on diameters and thickness according to the standards. The other dimensions are specialized. Tolerance  $\pm 5\%$ . NTG PLASTIK reserves all the right to change any information without giving prior notice. The production, distribution and utilization of this document without explicit authorization is prohibited.